

APPLICATION: THIRD AXLE ADDITION W/SERVICE CHAMBERS

PART #: **PAKASV-1-B**

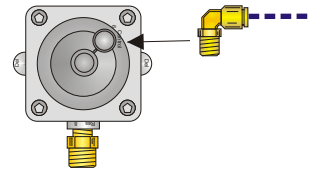
CONTENTS: Connectors as shown

- Air tank with installed drain valve and plugged unused ports
- Air tank mounting kit with pads, bolts, washers and lock nuts
- Brake valve(s) are installed and include push to connect fittings
- Hoses with swivel hose ends are installed to valve(s)
- Hose separators

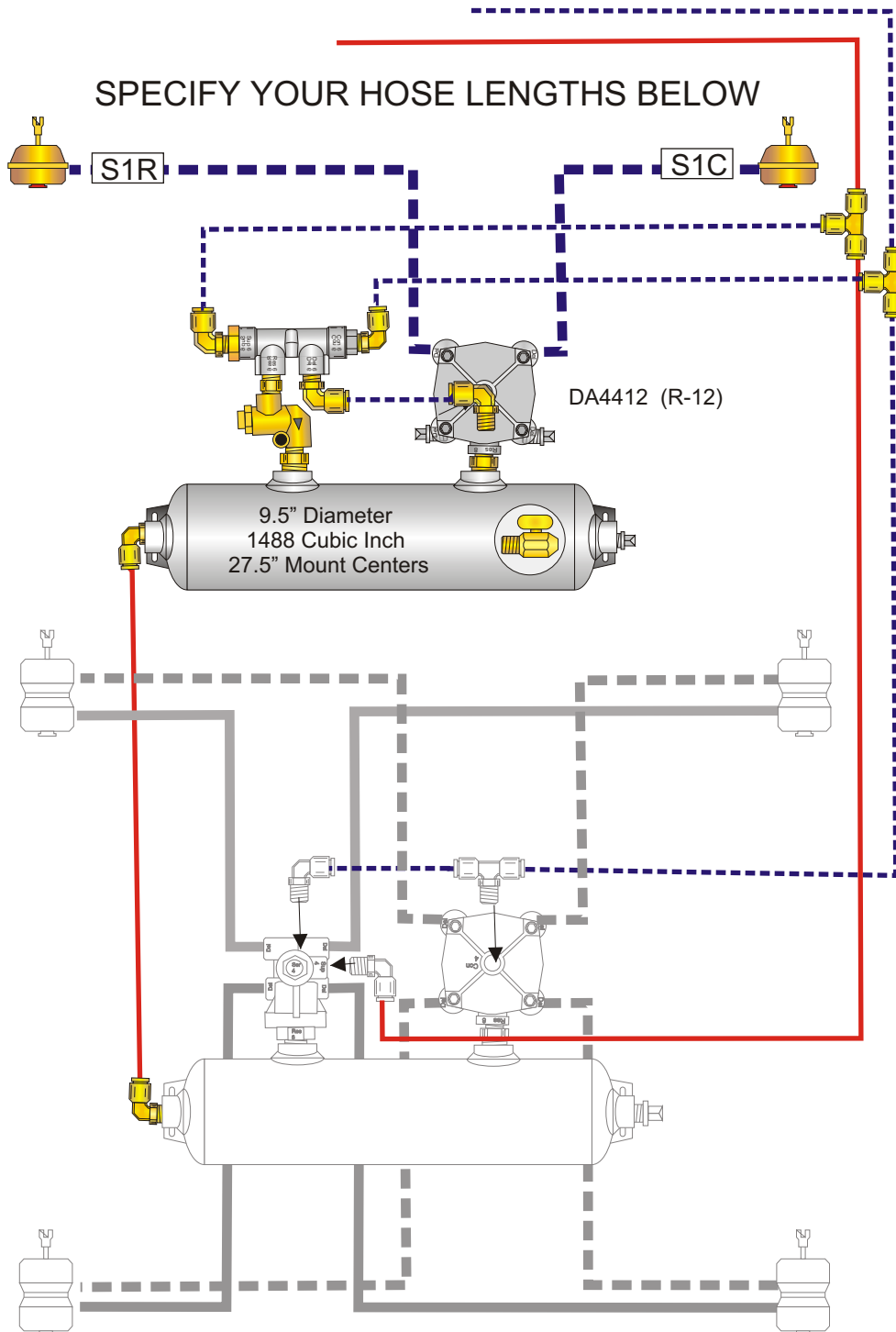
OPTIONAL SYSTEMS

PAKASV-1-S

SEALCO RELAY VALVE



DA4404C (110410)



SPECIFY HOSE LENGTH IN INCHES EMERGENCY:

E1R	E1C
E2R	E2C
E3R	E3C
SERVICE:	
S1R	S1C
S2R	S2C
S3R	S3C
S4R	S4C

- — — Service Hose
- — — Service Tube
- — — Supply Hose
- — — Supply Tube

Specifications:

Hoses meet J1402 & JT106 specifications and are 3/8 ID unless otherwise noted. Reservoirs meet J10B specifications
 Pipe fittings are brass or plated SH80 steel. Push-in style 3/8 tube fittings standard. ABS Electronics pre-tested before shipment.